

B

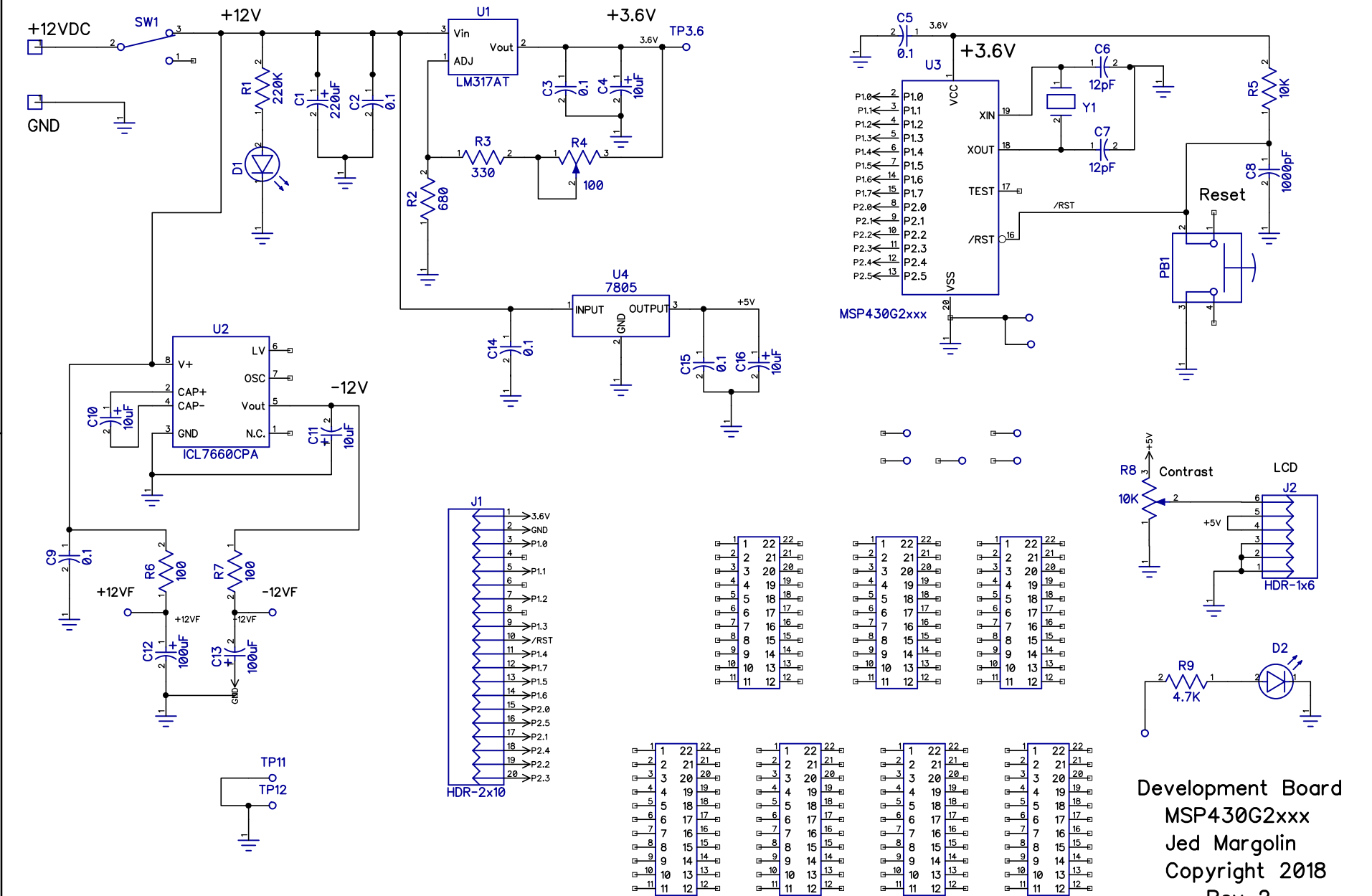
A

1

1

B

A



Development Board
 MSP430G2xxx
 Jed Margolin
 Copyright 2018
 Rev 2